

GFW-ZDESK

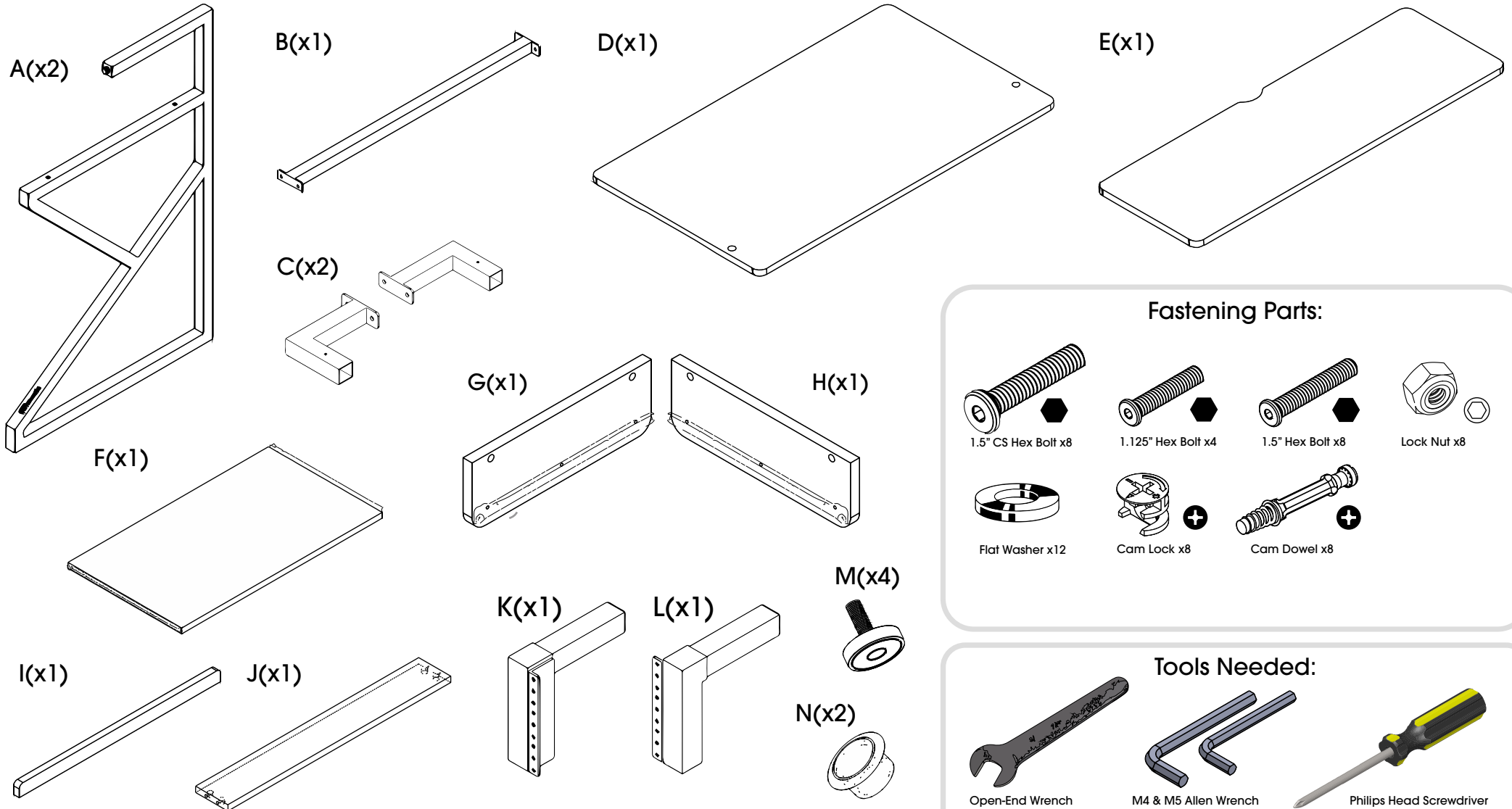
GATOR FRAMEWORKS Z-DESK

UPC: TBD

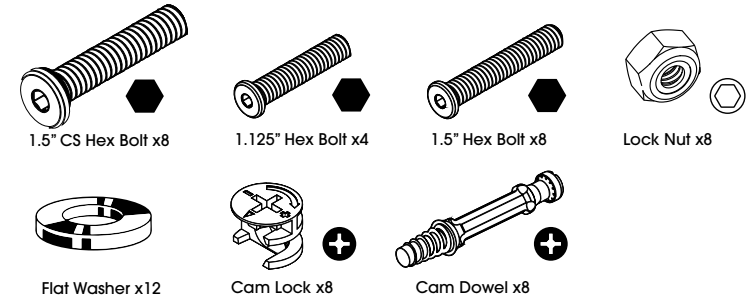


COPYRIGHT GATOR CO. - ALL RIGHTS RESERVED - 11.2020 - REV:A

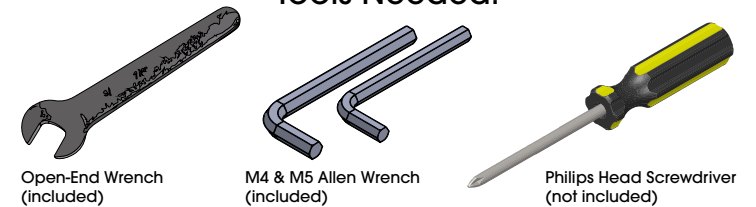
Package Contents:



Fastening Parts:



Tools Needed:



GFW-ZDESK

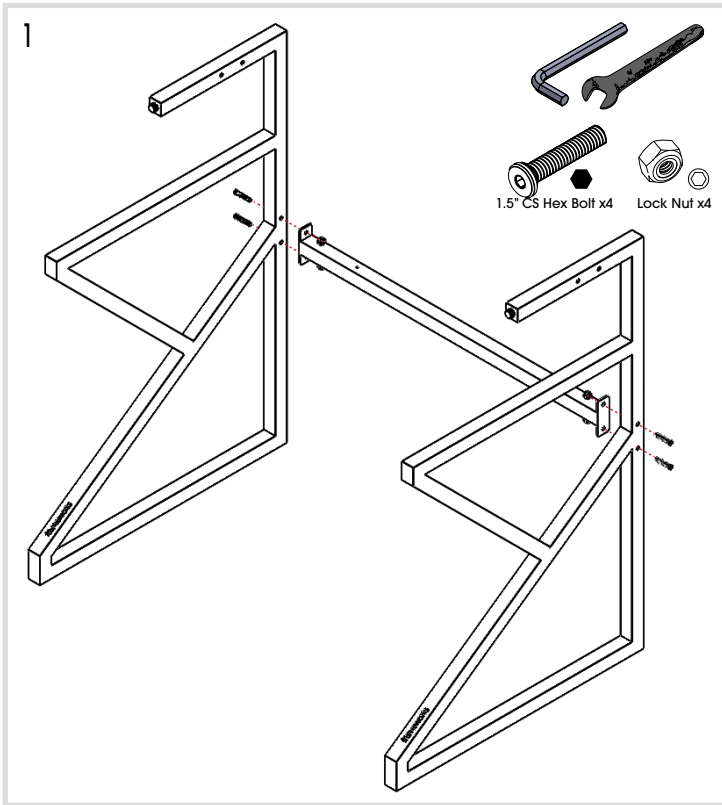
GATOR FRAMEWORKS Z-DESK

UPC: TBD

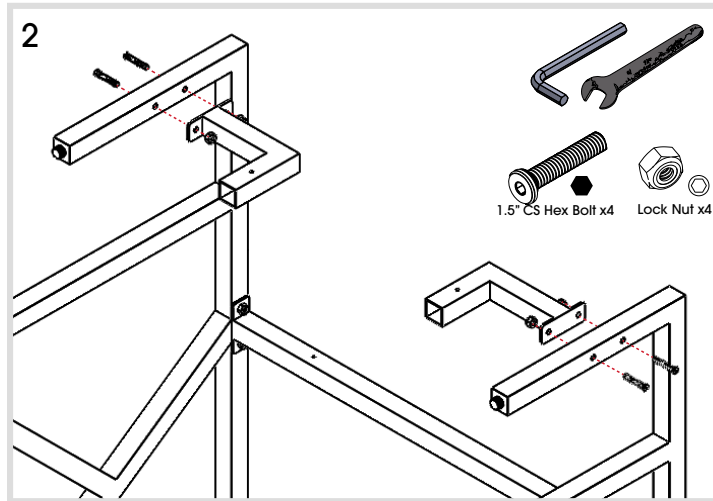


COPYRIGHT GATOR CO. - ALL RIGHTS RESERVED - 11.2020 - REV:A

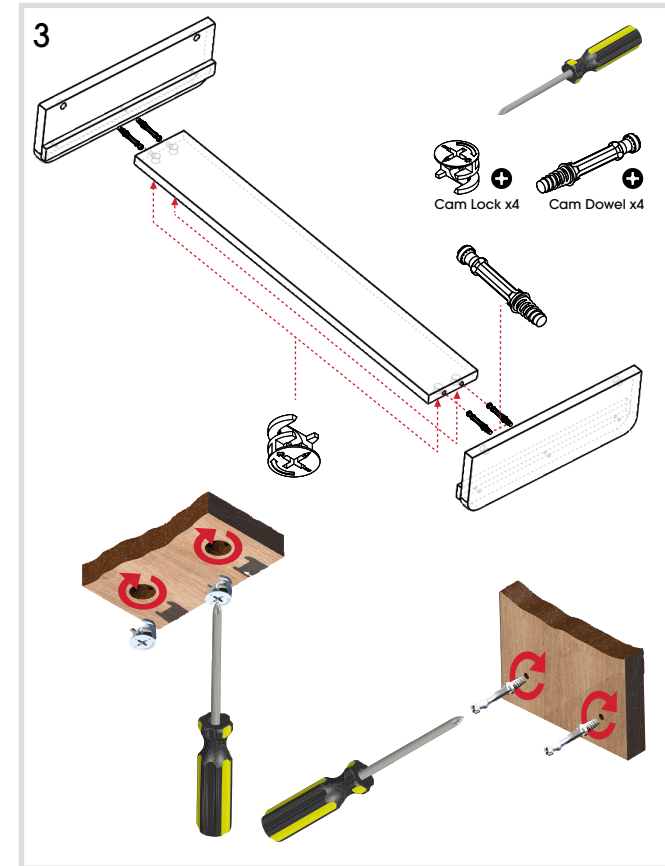
Instructions



Using (4) 1.5" CS Hex Bolts & (4) Lock Nuts, attach Legs (Ax2) to Crossmember (Bx1)



Using (4) 1.5" CS Hex Bolts & (4) Lock Nuts, attach Upper Table Supports (Cx2) to Legs (Ax2)



Install (4) Cam Locks on underside of (J)
Install (2) Cam Dowels on (G-A), and (2) Cam Dowels in (H-A). Insert Cam Dowels into open ends of (J) and tighten Cam Locks (clockwise)



GFW-ZDESK

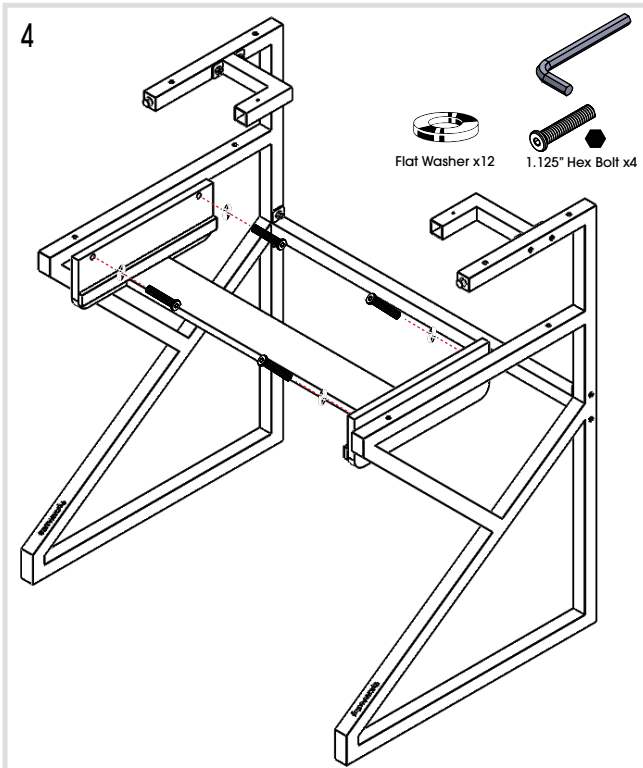
GATOR FRAMEWORKS Z-DESK

UPC: TBD

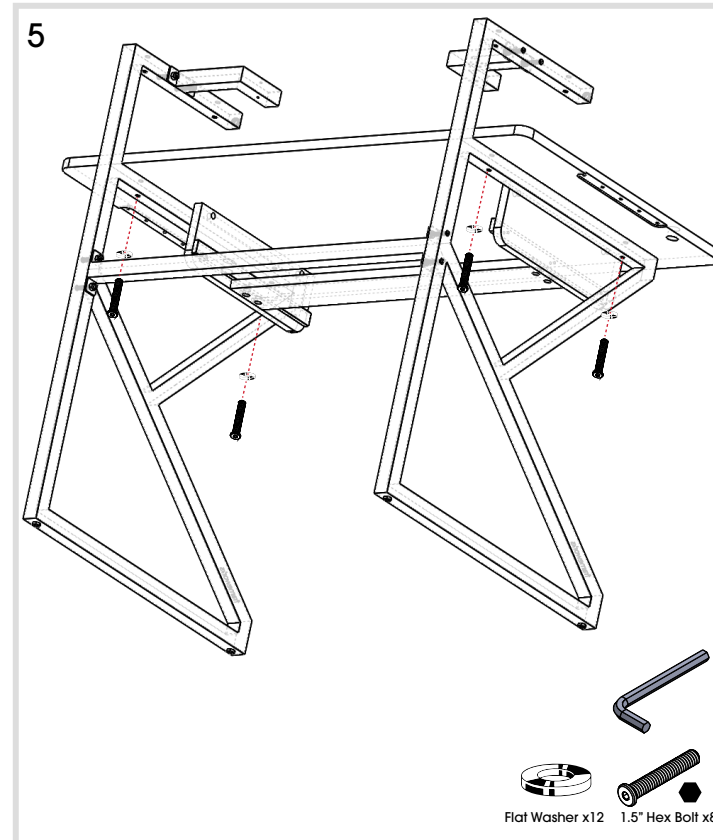


COPYRIGHT GATOR CO. - ALL RIGHTS RESERVED - 11.2020 - REV:A

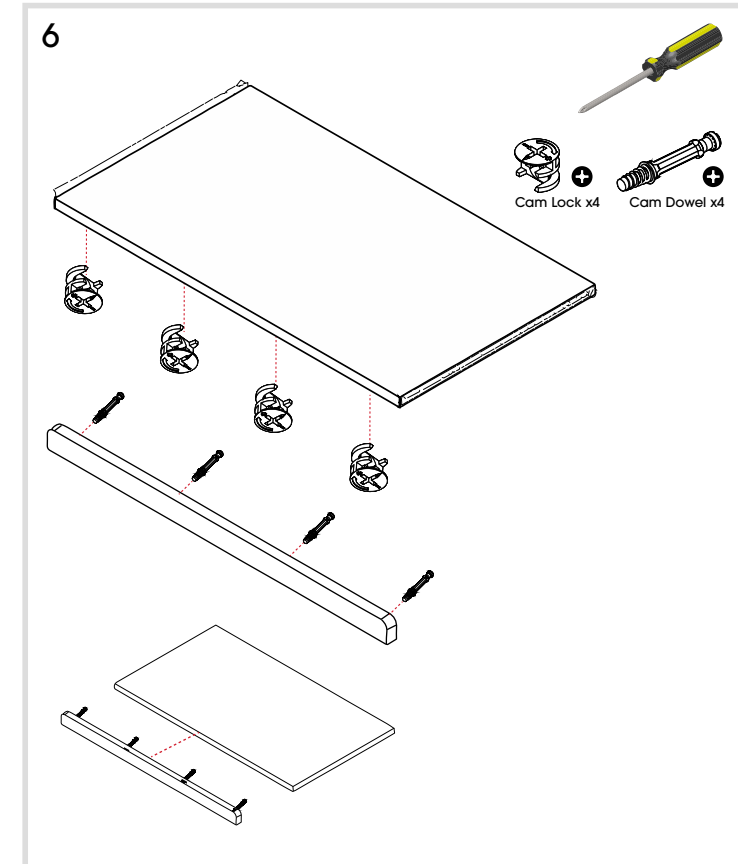
Instructions



Using (4) 1.25" Hex Bolts & (4) Washers, attach assembly to Legs as shown



Using (4) 1.5" Hex Bolts & (4) Washers, attach Bottom Tabletop (Dx1) to Legs (Ax2)



Install (4) Cam Locks on underside of (F),
Install (4) Cam Dowels on (I), Insert Cam Dowels into open holes of (F) and tighten Cam Locks (clockwise)



GFW-ZDESK

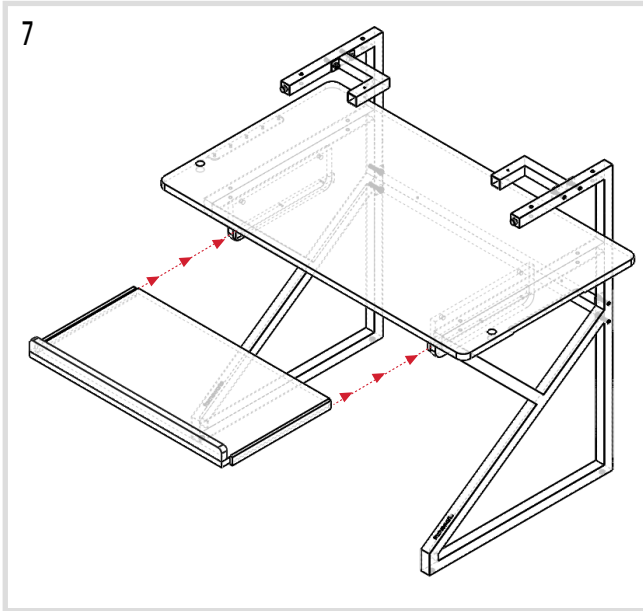
GATOR FRAMEWORKS Z-DESK

UPC: TBD

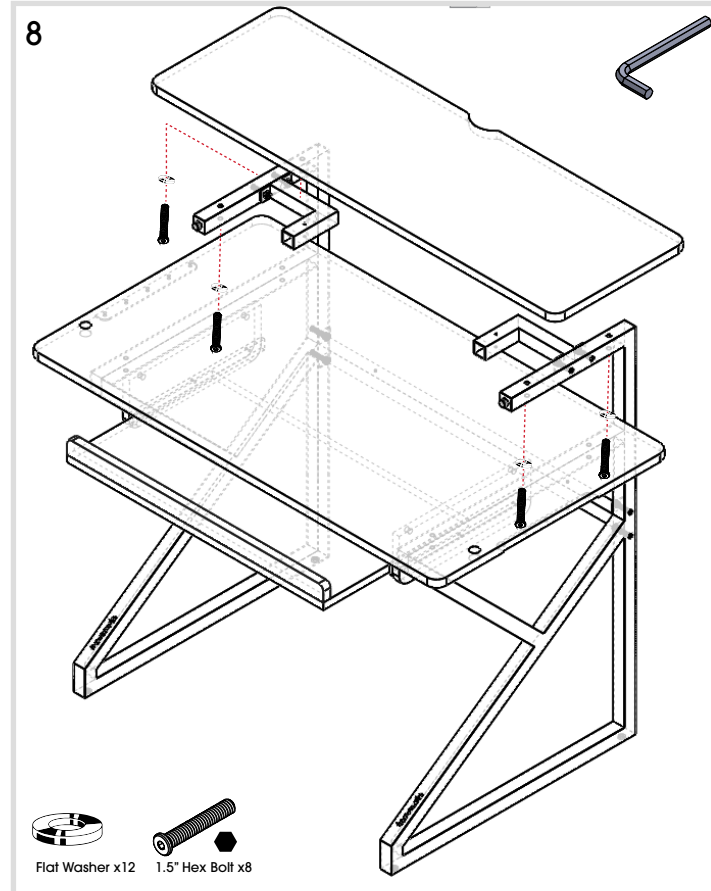


COPYRIGHT GATOR CO. - ALL RIGHTS RESERVED - 11.2020 - REV:A

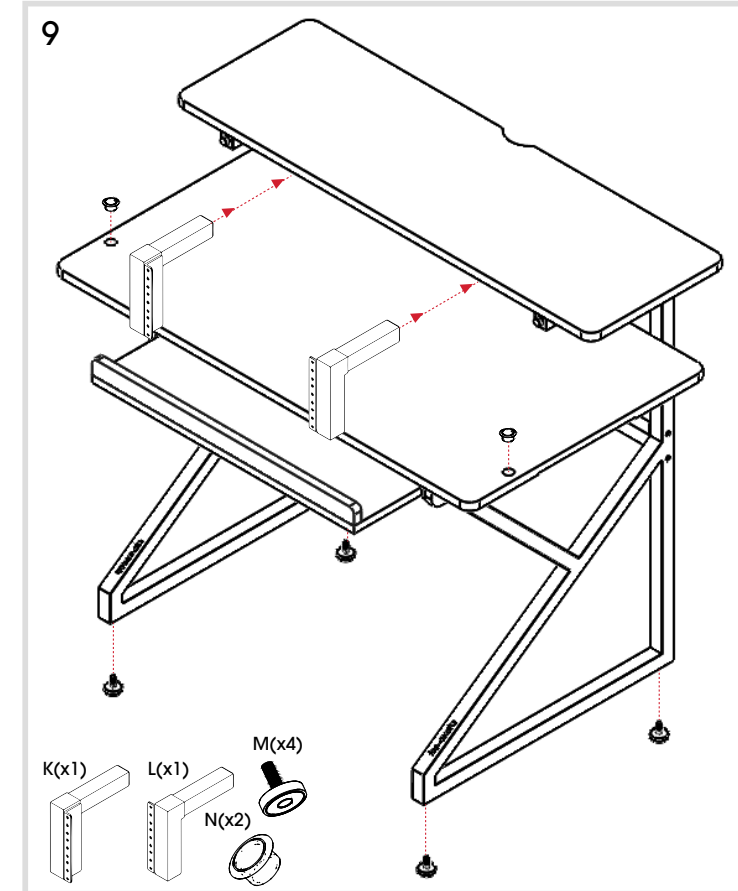
Instructions



Attach Keyboard Tray to uprights by aligning drawer slides and firmly press the tray towards the rear of the desk until drawer slides click



Using (4) 1.5" Hex Bolts & (4) Washers, attach Top Tabletop (Ex1) to Legs (Ax2)



Install (4) Leveling Feet (Mx4) on underside of frames, use to adjust height incrementally and to level tabletop surfaces.

Install (2) Plastic Hole Caps (Nx2) on Bottom Tabletop (Use holes to mount Boom Arms, etc.)

If using rack-mounted equipment, install the rack arms (Kx1 & Lx1) into the open square tubes under Top Tabletop and adjust depth to your preference

